



COMPACT MACHINES

English



RS **ROBLAND**[®]
MADE IN BELGIUM

TABLE OF CONTENTS

About Robland	3 - 6
NXZ	7
E300	8
Panel saws options & accessories	9
Strengths	10
KS310	11
KS410	12
KD410	13
Options & accessories	14
KT30	15
KT30 PRO	16
Options & accessories KT30 (PRO).....	17
Robland machines overview	18 - 19
Disclaimer & contact details	20



MADE IN BELGIUM

SINCE 1968

ROBLAND is a privately owned Belgian company, that was founded in 1968 by Robert Landuyt. The first successes were achieved by building affordable qualitative universal woodworking machines, a large part of which are still in use today.

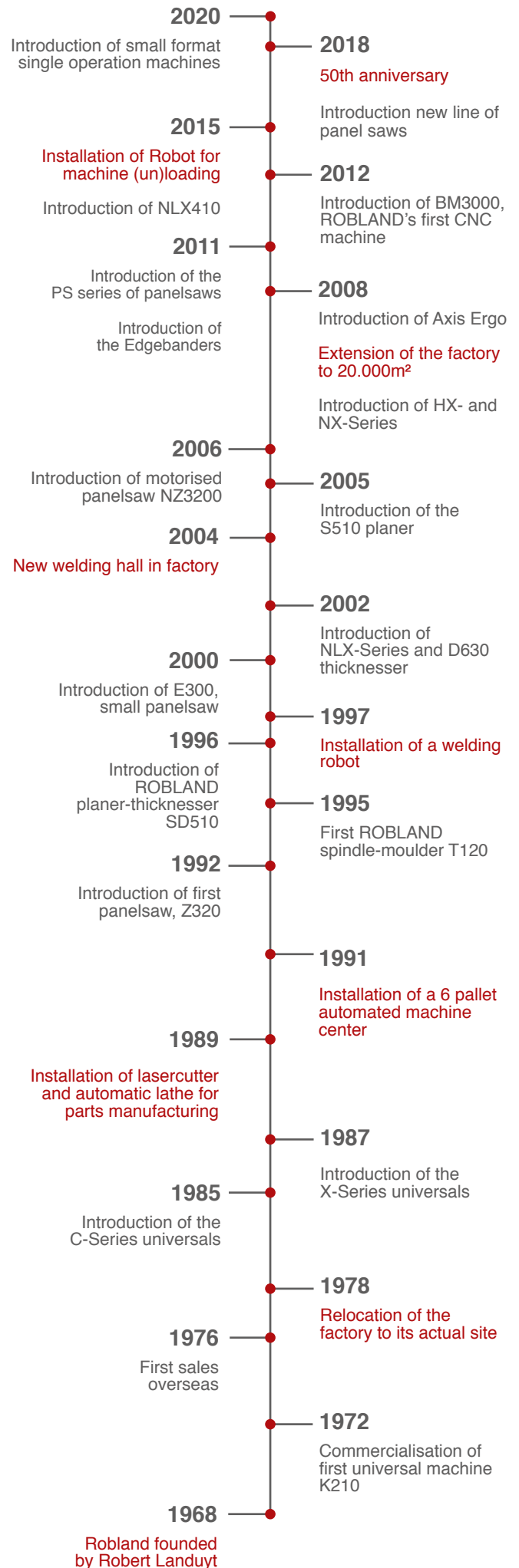
We do have all resources and competencies in house for product development, parts manufacturing, product assembly, sales and after sales support.

With our state of the art, highly automated, parts manufacturing machines we are able to remain cost effective while manufacturing in Belgium near the historical city of Bruges. Although our machines will last for years, this is not enough for us. A quality service and after sales support is key to ROBLANDs success. As we manufacture all machine parts ourselves, you can rely on spare parts always being rapidly available.

Our company mission is to offer woodworking machines with the best quality/price ratio to the high end Do-It-Yourself market and to the small and medium-sized enterprise market.

Our product portfolio, aimed at the second wood processing, includes panel saws, table saws, universal machines, planers, thicknessers, spindle moulders, horizontal mortisers, a semi-automatic boring machine, a CNC boring machine, edgebanders and dust extraction systems.

We have an international dealer network and currently export over 85% of our production worldwide to more than 100 countries. In its 20.000 m² large factory ROBLAND employs over 80 people.



PRODUCTION: FACTORY BRUGES, BELGIUM



Steel plate laser cutting



Surface scraping of cast iron table



Computer assisted steel plate bending



Surface planing of cast iron table



Welding of frame



Raw steel bars



Powder coating



Machining parts



Milling of sliding table surface



Machining parts

SUBASSEMBLY



ASSEMBLY



LEVELLING AND ALIGNMENT





For 50 years, an enthusiastic team has been working daily on the future of the company and of that of our customers. Meanwhile, Robland is an international player, but personal contacts still remain incredibly important.

Gert Muijs, CEO



Rudy and Ruben work at Robland's department of design. This department has short lines of communication with both the department of parts production and machine assembly, which ensures great flexibility. Robland is focusing on standardising the machinery parts, aiming for a better customer service.



Kenneth has been working at Robland for almost 10 years. He appreciates the large variation in his job and is proud to work for a company that is 100% Belgian. Kenneth works at the milling department, which uses both vertical and horizontal milling cutters.



Robland has different assembly lines that each can be divided into different phases. **Sven** is team leader of the combination line, which has four different phases, just like the other assembly lines. Pre-assembly is important to make sure the entire process runs smoothly.



Marin is responsible for checking the quality of the machinery at Robland. These quality checks are conducted by random sampling checks. Marin also provides training for the distributors of the Robland machinery.



Robland never sells directly to the end-consumers. As such, the target audience is reached via dealers and importers, with which our commercial team collaborates tightly. According to commercial manager **Tom Borghmans** "Robland has collaborated with most dealers and importers for over 30 years, creating good and sustainable relations."



Mark has been our warehouse manager at Robland since 1989. He optimises the loading of machines in trucks and containers and also handles the shipment of spare parts. Mark is amazed by Robland's worldwide fame and the ability to deliver to the most remote places.



With a lot of passion for wood, **Evvy** has studied for wood-worker and is now working at our department of technical support. She creates YouTube movies about the factory and/or Robland machines and provides demonstrations for customers. Evvy can regularly be found at fairs all around the globe.



NXZ with options

NXZ Technical data

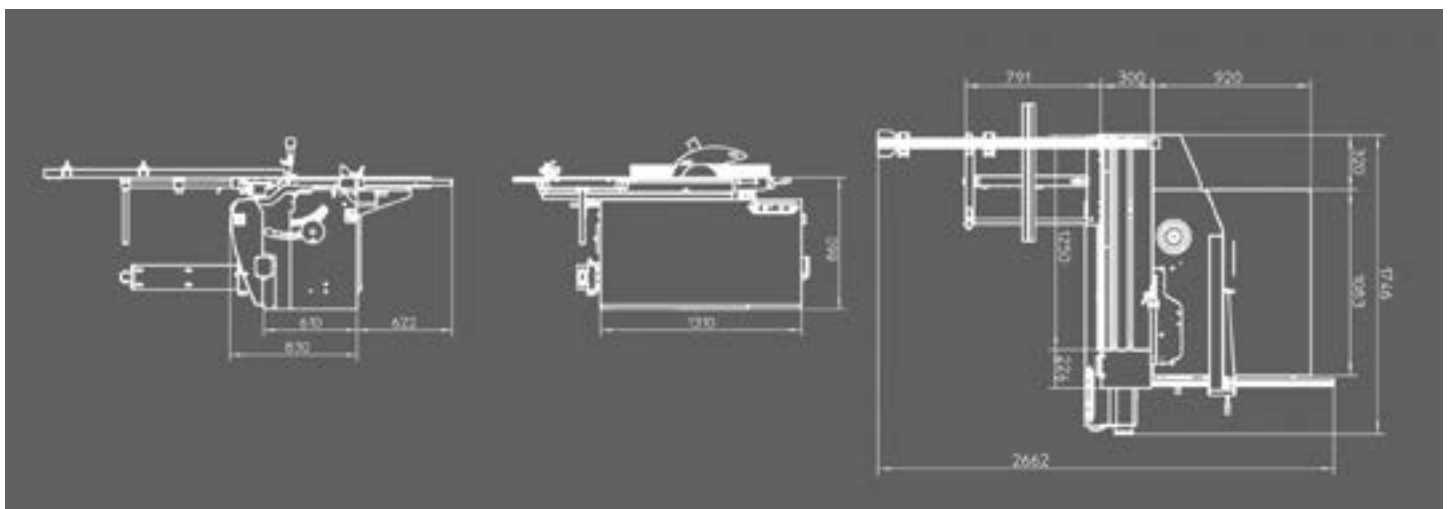
Weight	385 kg
Voltage	230 V mono / 230 V 3 Phase / 400 V 3 Phase
Motor 3 phase	3,7 kW / 5 hp (S6)
Motor single phase	2,2 kW / 3 hp (S6)

Versions

250 mm	with scoring unit (100 x 20 mm)
315 mm	without scoring unit

Saw

Saw blade rotation speed	4500 RPM
Diameter saw blade (250 mm version)	250 x 30 mm + 100 x 20 mm scoring unit
Diameter saw blade (315 mm version)	315 x 30 mm
Cutting depth at 45° / 90° (250 mm version)	55 mm / 85 mm
Cutting depth at 45° / 90° (315 mm version)	75 mm / 107 mm
Cutting length	1600 mm (option 2000 mm / 2500 mm)
Cutting width parallel fence	900 mm
Dimensions table	1080 x 410 mm
Dimensions sliding table	1450 mm (option 2050 mm) x 320 mm
Dust extraction outlets	100 mm + 60 mm

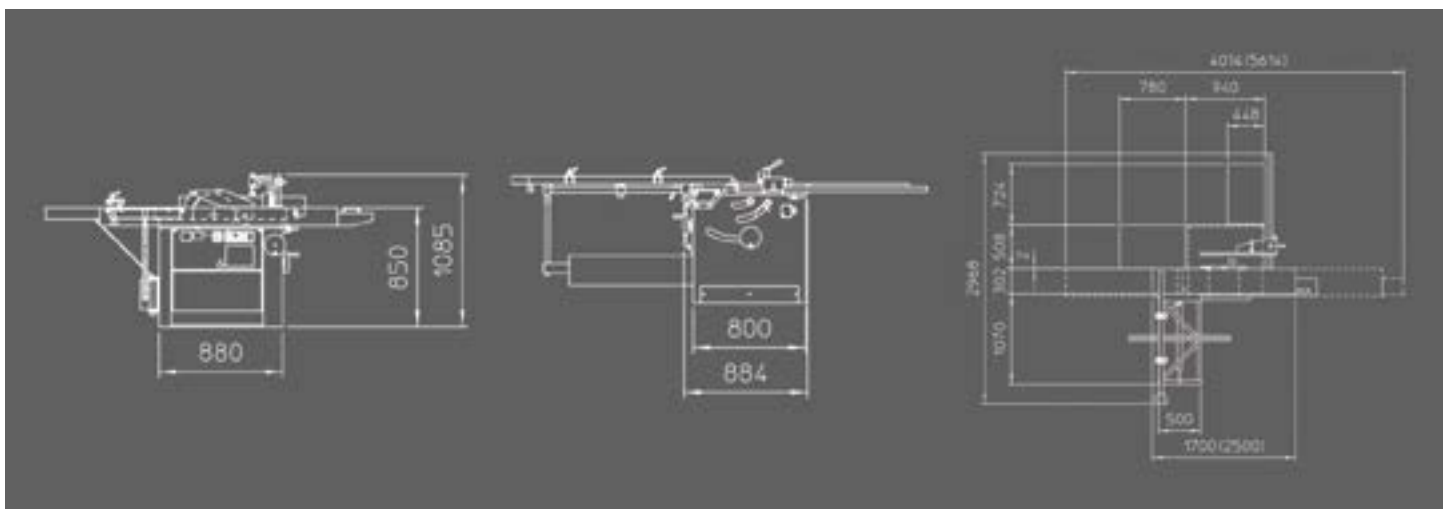




E300 with options

E300 Technical Data

Weight	437 kg
Voltage	230 V mono / 230 V 3 phase / 400 V 3 phase
Motor power 3 phase	4,4 kW / 6,6 hp (S6)
Motor single phase	2,2 kW / 3 hp (S6)
Rotation speed main saw	4500 RPM
Max. saw diameter	300 mm
Max. depth of cut at 90° (45°)	100 mm (70 mm)
Cutting length	1700 mm
Cutting width parallel fence	1200 mm
Sawblade bore	30 mm
Motor power scorer	0,75 kW / 1 hp (S6)
Rotation speed scoring saw	6500 RPM
Scoring sawblade	120 x 20 mm
Cutting depth scorer	4,5 mm
Dimensions sliding table	1700 x 310 mm
Dimensions table extension	720 x 450 mm
Dimensions sawtable	940 x 510 mm
Dimensions cross-cut table	1060 x 510 mm
Dust extraction outlets	100 mm + 60 mm / 100 mm with overhead sawguard



PANEL SAWS

OPTIONS & ACCESSORIES

NXZ & E300



SUPPORT

Extra support table

Can be positioned anywhere along the aluminium profile of the sliding table. Together with the outrigger table it offers a better support for large panels.



DIGITAL READ-OUTS

Digital read-out on parallel fence with micro adjustment (E300)

This increases ease of use and accuracy.

A digital read-out on the cross-cut fence is available as well.



OVERHANGING DUST EXTRACTION TUBE

An overhanging dust extraction tube can be mounted on the sawblade protection. It offers a standard dust extraction outlet of 100 mm.

(NXZ, E300)



SAW GUARD

Overhanging saw guard (E300)

For optimum safety and dust extraction, the overhanging saw guard mechanically adjusts to the height of the workpiece. The arm is easy to turn away.



SCORING UNIT

- Optional on the NXZ & E300
- Diameter 120 mm, driven by separate motor on E300
- Diameter 100 mm, beltdriven on NXZ

(Scoring blade is not included)

STRENGTHS

COMMON TO ALL ROBBLAND PANEL SAWS



TORSION TUBE

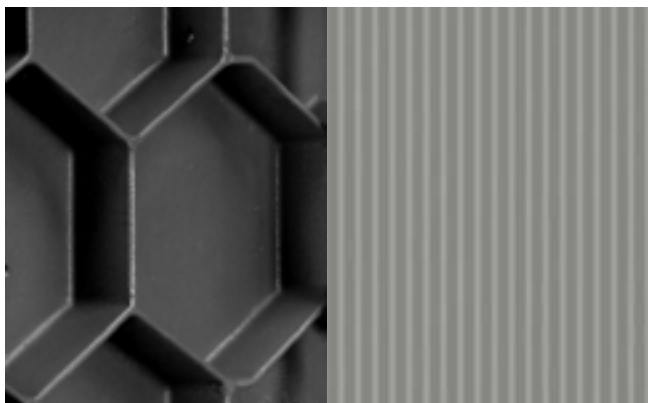
A torsion tube filled with concrete offers increased rigidity to the frame, absorbs vibrations and functions as a counterweight for the load on the sliding table.



ALUMINIUM SLIDING TABLE WITH BOSS

The aluminium sliding table is completely anodized for better hardness and rust protection. The Robland bearing system with hard balls on hardened steel round bars (BOSS) and automatic cleaning system ensures a smooth operation.

On every available panel saw of any brand a too hard impact on the carriage inflects an imprint on the lower profile. On any other sliding table, the upper profile has to be dismantled and has to be fixed in a complex way. Thanks to the BOSS-system, the end user can turn the steel round bars himself to obtain a new rolling surface. This way you can enjoy a perfect course of your table for many years.



CAST IRON TABLES

Our cast iron tables have a honeycomb structure for the highest strength per weight ratio. The surface is scraped. This technique with low energy dissipation guarantees a very flat surface. Microgrooves are applied for easy gliding of the wooden workpiece on the cast iron table.



OVERHANGING SAW GUARD

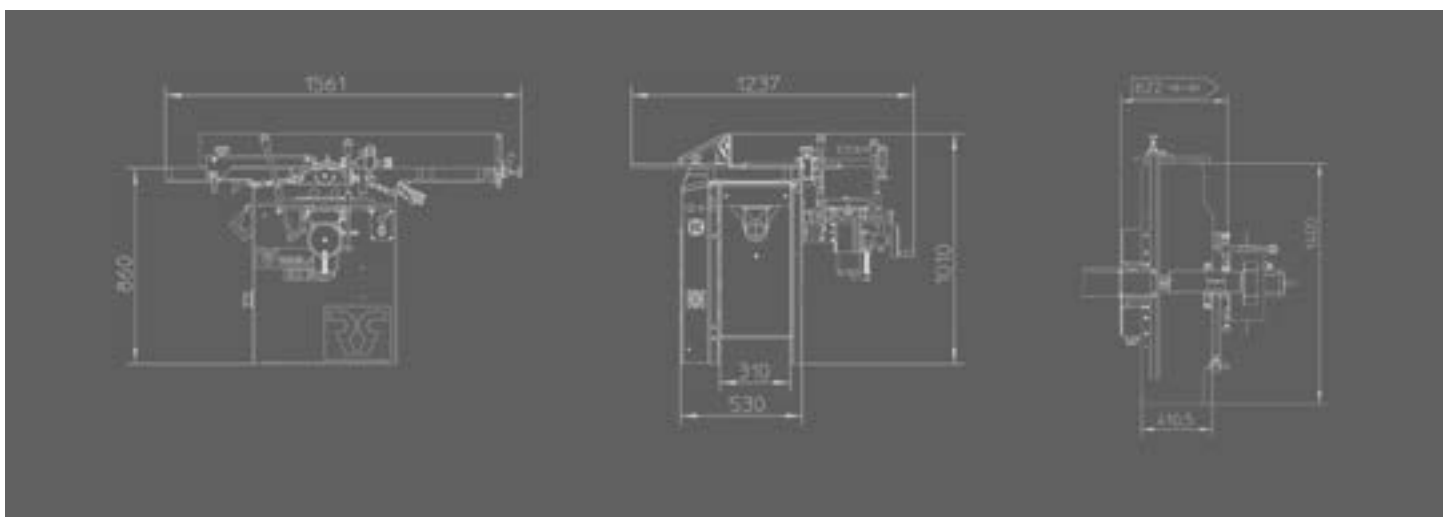
For optimal safety and dust extraction, the overhanging saw guard (optionally available on the E300) mechanically adjusts to the height of the workpiece. The arm is easy to turn away.



KS310 with options

KS310 Technical data

Weight	250 kg
Voltage	230 V Mono
	230 V - 3 Phase
	400 V - 3 Phase
Motor power (S6) Mono	2,2 kW / 3 hp
Motor power (S6) - 3 Phase	3,7 kW / 5 hp
Dust extraction diameter	100 mm
Knives	3
Dimensions knives	310 x 25 x 3 mm
Rotation speed	5500 RPM
Width of planor arbor	310 mm
Diameter planer arbor	70 mm
Dimensions planing fence	1300 x 150 mm
Tilting planing fence	90° - 45°
Max. chip removal per pass	4 mm
Total length of planing tables	1400 mm

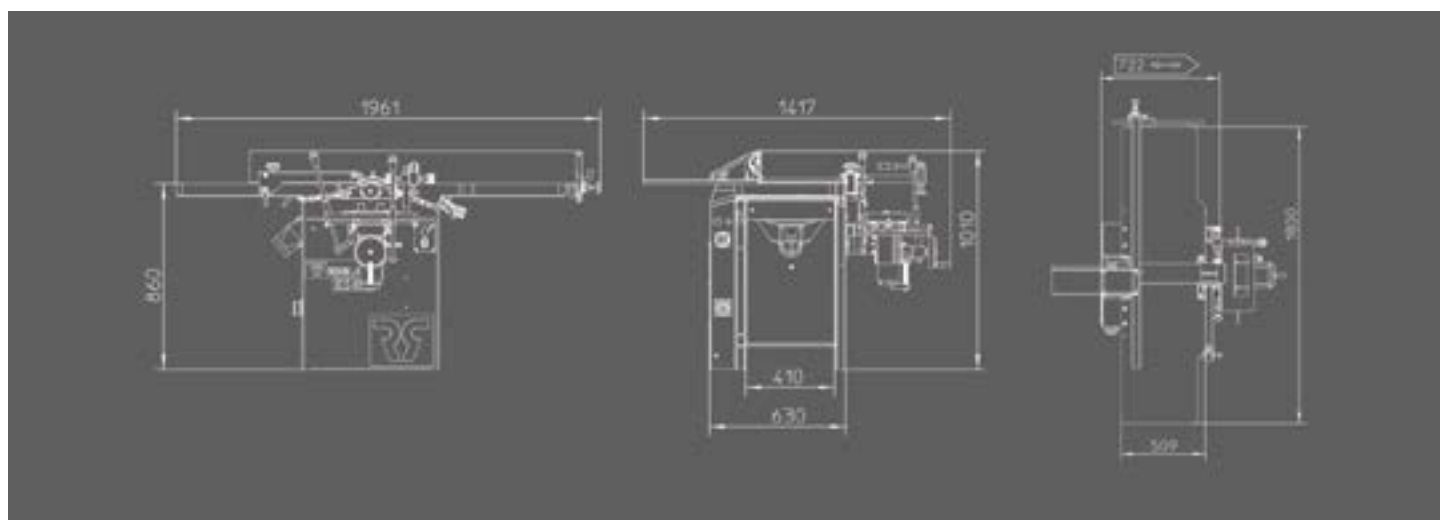




KS410 with options

KS410 Technical data

Weight	295 kg
Voltage	230 V Mono
	230 V - 3 Phase
	400 V - 3 Phase
Motor power (S6) Mono	2,2 kW / 3 hp
Motor power (S6) - 3 Phase	4,85 kW / 6,6 hp
Dust extraction diameter	100 mm
Knives	3
Dimensions knives	410 x 25 x 3 mm
Rotation speed	5500 RPM
Width of planer arbor	410 mm
Diameter planer arbor	70 mm
Dimensions planing fence	1500 x 150 mm
Tilting planing fence	90° - 45°
Max. chip removal per pass	4 mm
Total length of planing tables	1800 mm

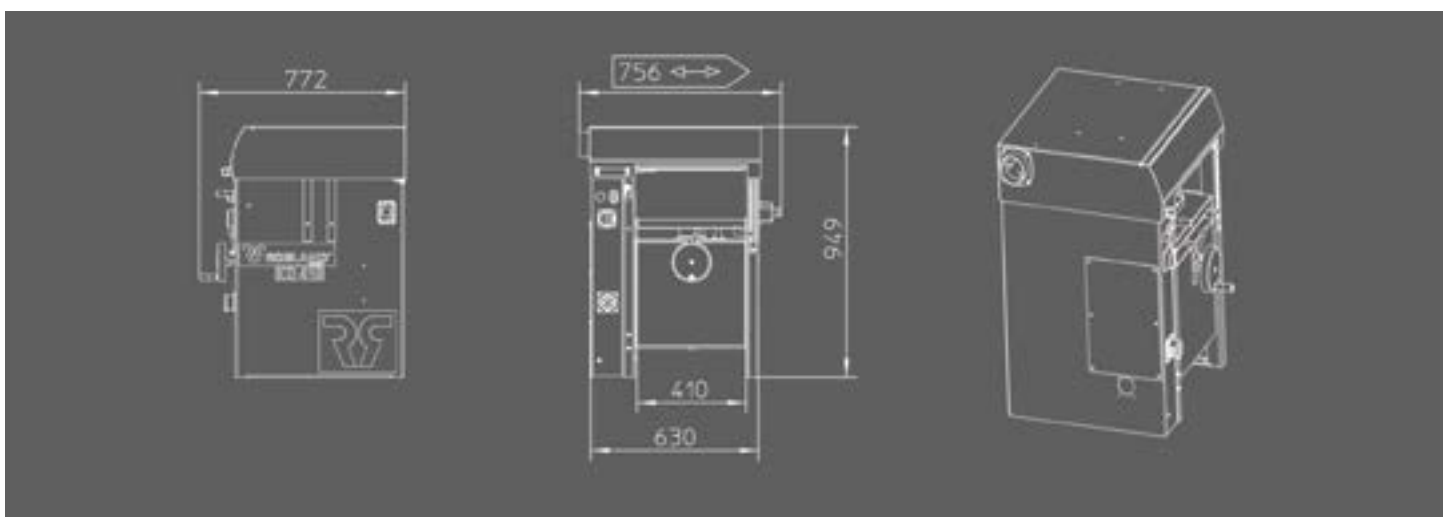




KD410 with options

KD410 Technical data

Weight	205 kg
Voltage	230 V Mono
	230 V - 3 Phase
	400 V - 3 Phase
Motor power (S6) - Mono	2,2 kW / 3 hp
Motor power (S6) - 3Phase	4,85 kW / 6,6 hp
Dust extraction diameter	100 mm
Diameter cutter block	70 mm
Knives	3
Dimensions knives	410 x 25 x 3 mm
Rotation speed	5500 RPM
Max. depth of cut	4 mm
Thicknesser width	410 mm
Height capacity thicknesser	230 mm
Dimensions thicknesser table	600 x 410 mm
Feeding speed	6 m/min.
Diameter feed rollers	30 mm



DIFFERENT CUTTER BLOCKS



STANDARD CUTTER BLOCK

For most people this cutter block offers the best price/quality ratio. The blades can be resharpened and are easy to replace thanks to a specific toolset, delivered with the machine.



TERSA CUTTER BLOCK

The machine can be equipped with a TERSA system, to allow for a fast exchange of the knives. The disposable TERSA blades are available in a wide selection to fit different types of wood.

The TERSA cutter block has a slightly lower noise level than the standard block.



SPIRAL CUTTER BLOCK

When processing hard wood types the spiral cutter block has a lower noise level and consumes less energy than a standard cutter block. The blades also typically last longer.

On hard wood the 3 rows of knives result in a high quality finishing.

Number of four-side cutting panels on spiral arbor: 52 on 310, 68 on 410

OPTIONS



HANDWHEEL WITH INTEGRATED ANALOGUE READ-OUT THICKNESSER TABLE

Handwheel with integrated analogue readout for the thicknesser table. This mechanical readout offers even more comfort and precision than the standard ruler.

ACCESSORIES



WHEEL SET

With the wheel system consisting of two fixed wheels at one side and a swiveling wheel with steering handle at the other, you can easily move your machine. (available on the **KD410**, **KS410**, **NXSD310** and **NXSD410**)



MORTISING UNIT ON **KS310** / **KS410**

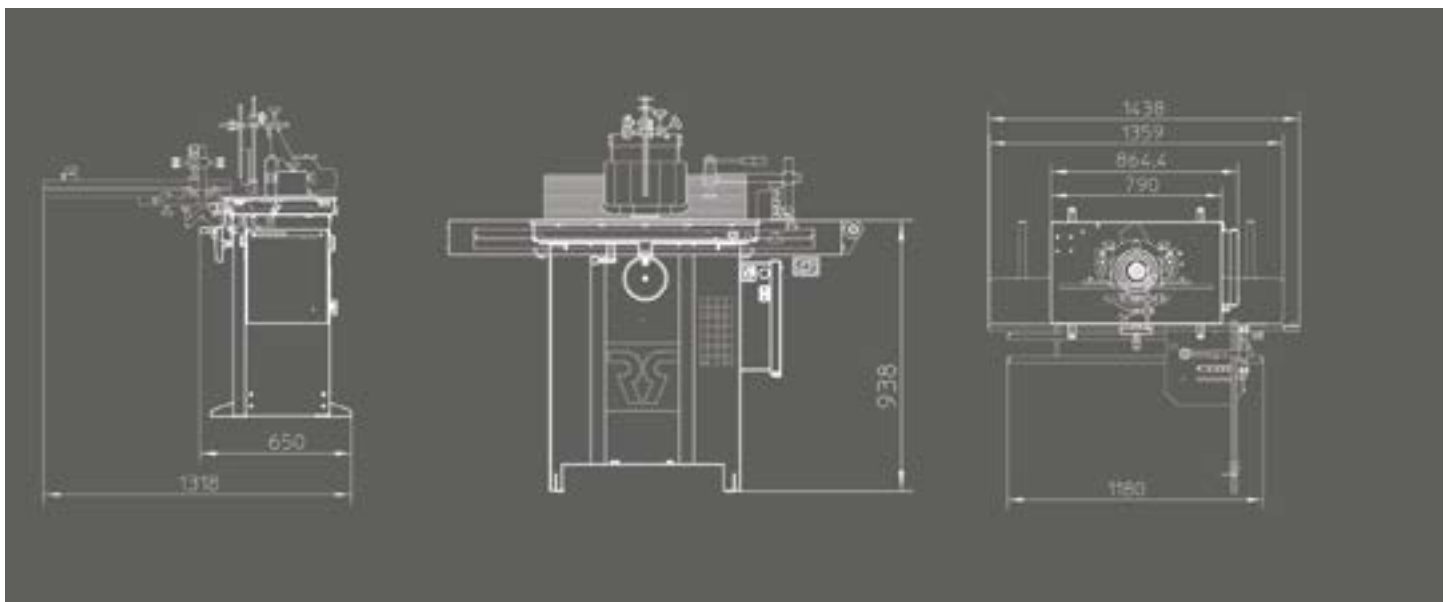
The smooth and easy to operate unit can be removed from the machine within minutes. It also has 2 detachable handles, easy when machining large workpieces.



KT30 with options

KT30 Technical Data

Voltage	230 V single phase / 3 X 230 V / 3 x 400 V
Motorpower single phase (S6)	2,2Kw / 3hp
Motorpower three pase (S6)	3 kW / 4hp
Weight	130 kg - 150 kg
Diameter & height of table opening	179 x 60 mm
Maximum tool diameter	180 mm - requires optional motor break
Spindle length	120 mm
Spindle stroke	140 mm
Spindle diameter	30 mm (option 50 mm)
Spindle rotation speed	3000 / 6000 RPM three phase / 6000 RPM single phase
Dust extraction	100 mm
Standard	Heavy steel table prepared to receive optional feeder

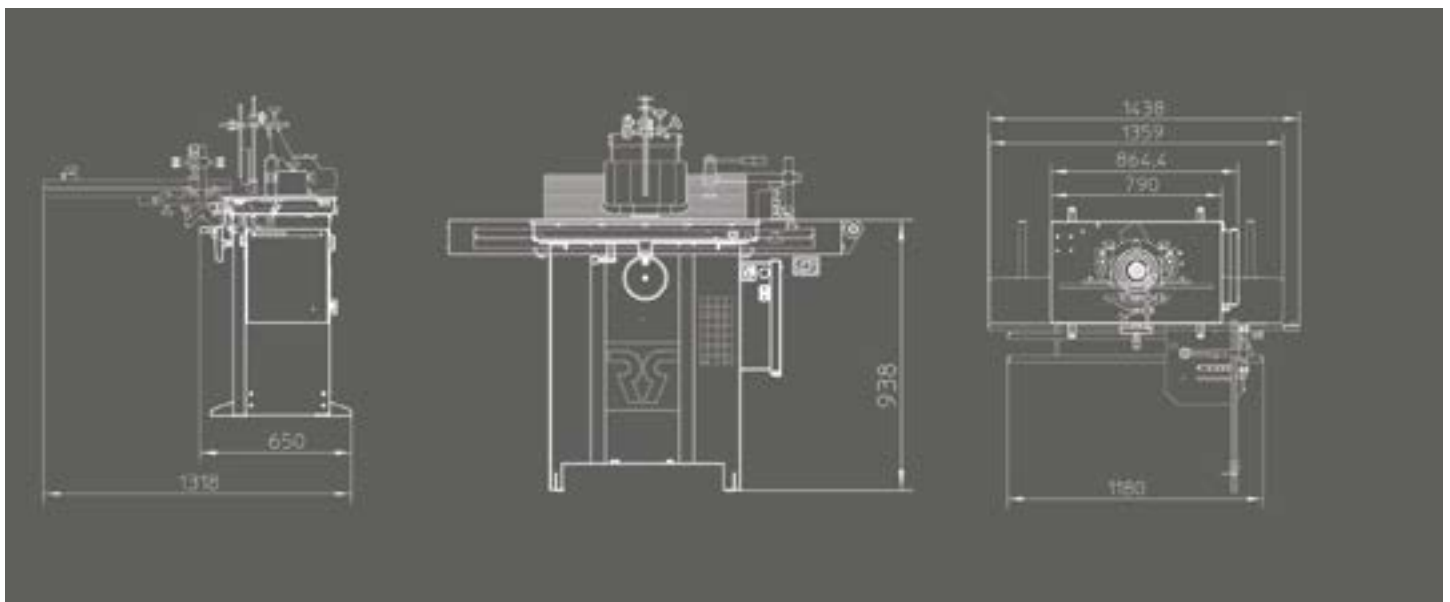




KT30 PRO with options

KT30 PRO Technical Data

Voltage	230 V single phase / 3 X 230 V / 3 x 400 V
Motorpower single phase (S6)	2,2Kw / 3hp mono
Motorpower three phase (S6)	3,7 kW / 5hp
Weight	150 kg - 185 kg
Diameter & height of table opening	179 x 60 mm
Maximum tool diameter	180 mm - requires optional motor break
Spindle length	122 mm
Spindle stroke	140 mm
Spindle diameter	30 mm (option 50 mm)
Spindle rotation speed	3000 / 6000 / 7500 / 10000 RPM
Dust extraction	100 mm
Standard	Heavy steel table prepared to receive optional feeder
	Electrical connector for optional feeder
	Spindle rotation both clock- and counterclock wise





- Optional longer table with support beam
- Optional heavy duty fence for tools up to 250mm (requires optional motor break) providing easier repeatability and better air circulation for dust extraction.

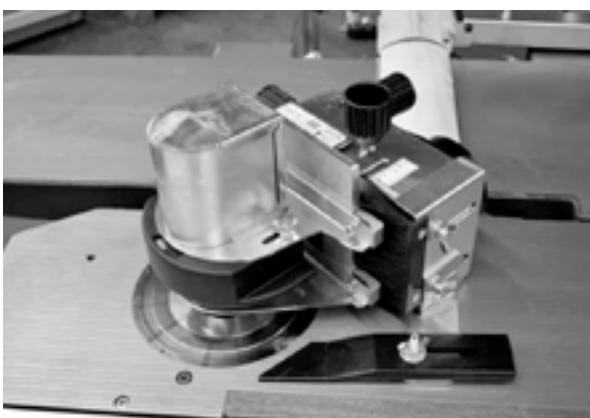


Handwheel with integrated siko counter.

ACCESSORIES



Cast iron tenoning table on heavy steel bars and tenoning hood for tools with diameter up to 250mm. (requires optional motor break)



Ring guard fence allowing to mould curved pieces.

PANEL SAWS



NXZ



E300



CZ SERIES



FZ SERIES



Z400 SERIES



Z500 SERIES

PLANER - THICKNESSERS



NXSD310



SD410



SD510

PLANERS



KS410



S410



J510

THICKNESSERS



D510



D630

HORIZONTAL SLOT MORTISER



LBM

SPINDLE - MOULDERS



KBM



KT30 PRO



T120S



T120L



T120P



M500

TABLE SAW

COMBINED MACHINES



HX260



HX310 PRO



NX310/410 PRO



NLX310/410 PRO



NXTZ PRO



NLXTZ PRO

DRILLING MACHINES



BM21 PRO



BM3000

EDGEBANDERS



KM575



This brochure is for information purposes only. Robland reserves the right to modify machine configurations and specifications without prior notice. Standard configurations can change over time and by point of purchase. Please consult your local dealer for accurate and up to date information.

Robland NV
Kolvestraat 44
8000 Brugge - Belgium
Tel: +32 50 458 925
info@robland.com
www.robland.com



Follow us on Facebook
www.facebook.com/Roblandmachines



Follow us on Instagram
www.instagram.com/robland_nv



Follow us on YouTube
www.youtube.com/robland